

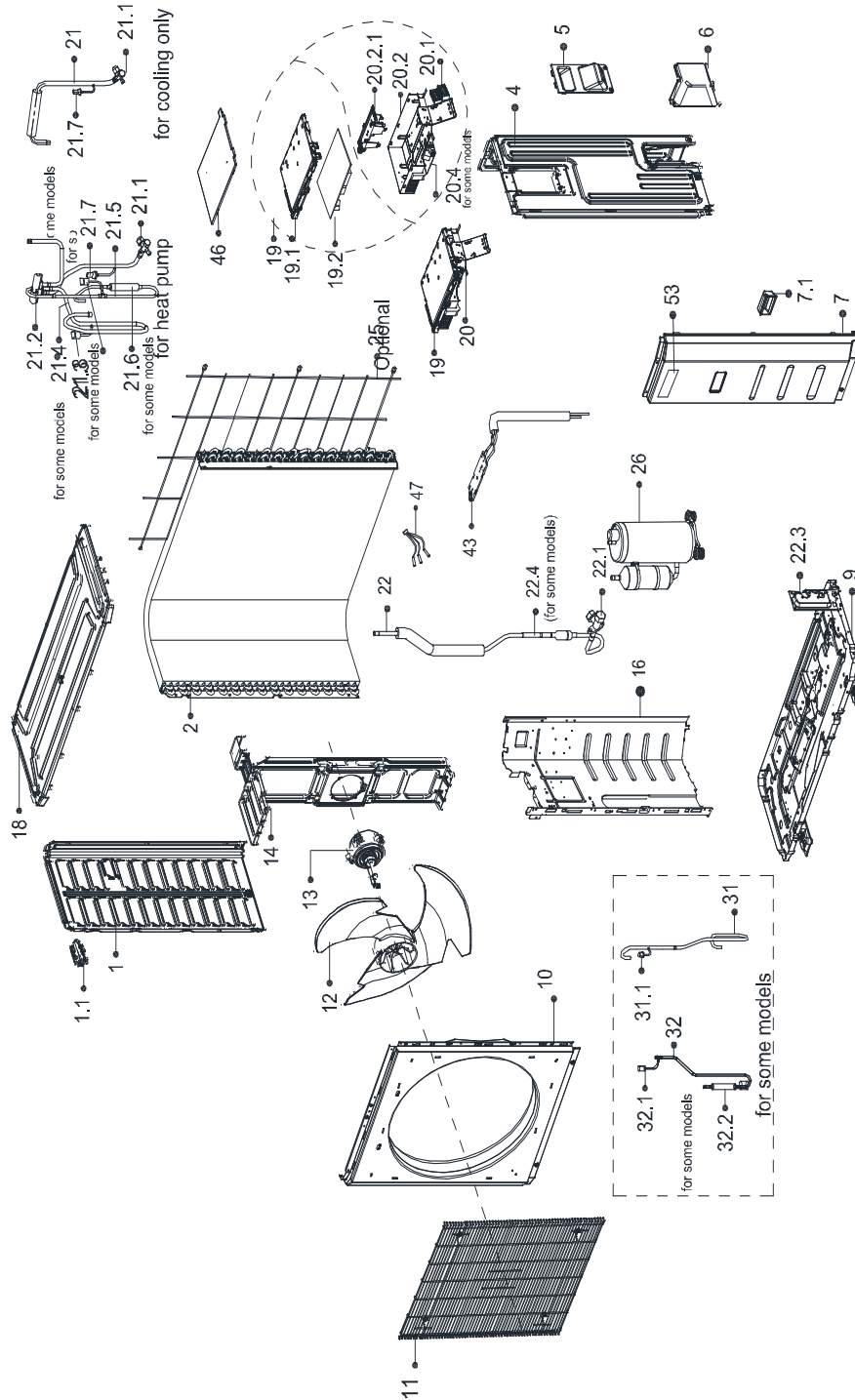
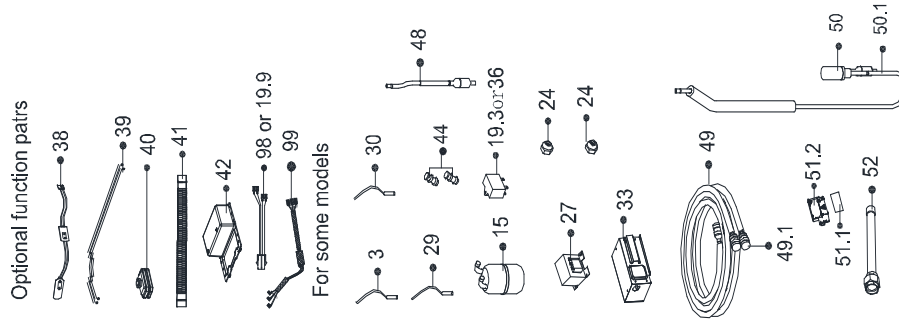


REPLACEMENT PARTS LIST

Inverter Single Zone Ductless Mini-Split

A-ZHP18SA-1

EXPLODED VIEW



REPLACEMENT PARTS

Location	Part Name	Quantity	Part No.
1	Left supporter	1.0	12222000006665
1.1	Small handle	1.0	12100701000033
2	Condenser assembly	1.0	15822000014546
4	Rear right side plate assembly	1.0	12222000019926
5	Handle	1.0	12222000011085
6	Water collector	1.0	12122200002695
7	Front right side plate assembly	1.0	12222500003152
7.1	Handle	1.0	12100702000038
9	Chassis assembly	1.0	12222000004018
10	Front panel	1.0	12222000A01431
11	Air outlet grille	1.0	12222000014845
12	Axial flow fan	1.0	12100105000084
13	Motor	1.0	11002015000247
14	Motor bracket assembly	1.0	12222000005162
16	Partition board subassembly	1.0	12222000012328
18	Top cover assembly	1.0	12222500000587
19	Electronic control box subassembly	1.0	17222000042905
19.2	Outdoor main control board subassembly	1.0	17122000062375
19.9	Fan motor wire joint subassembly	1.0	17401203025862
20	Electronic control box terminal board assembly	1.0	17222000042904
20.1	Terminal block	1.0	17400401006456
20.2	Terminal board assembly	1.0	12222000019365
20.2.1	U-Typed Support with Copper Pipe	1.0	12122000033782
20.9	Electronic installing box	1.0	12122000032940
20.10	Key board assembly	1.0	17122000062361
21	4-way valve assembly	1.0	15422000025366
21.1	Gas valve	1.0	15500204000663
21.2	4-way valve	1.0	15500216002363
21.4	Suction pipe	1.0	15122000027194
21.5	Discharge pipe subassembly	1.0	15122000025058
21.6	Muffler	1.0	15500506000007
22	High pressure valve assembly	1.0	15422000022937
22.1	High pressure valve	1.0	15500208000286
22.3	Valve plate	1.0	12222200002110
22.4	Throttle valve	1.0	15500210003128
24	Copper nut	1.0	15500406000010
24	Copper nut	1.0	15500406000003
25	Rear Grille	1.0	12222000006604
26	Compressor	1.0	11103020010159
38	Crankcase electric heater	1.0	17402001001499
39	Electric heater of chassis	1.0	17402002000466
43	Radiator	1.0	15122000033880
46	Cover of electronic control box	1.0	12222000018405
47	Combination sensor	1.0	11201011001107
50	Electronic expansion valve subassembly	1.0	15422000025498
50.1	Electronic expansion valve	1.0	11501020000261
53	Outdoor unit trademark	1.0	16000201001228
99	Compressor connection cable	1.0	17401203000751

Due to ongoing product improvements, specifications and dimensions are subject to change and correction without notice or incurring obligations. Determining the application and suitability for use of any product is the responsibility of the installer. Additionally, the installer is responsible for verifying dimensional data on the actual product prior to beginning any installation preparations.

Incentive and rebate programs have precise requirements as to product performance and certification. All products meet applicable regulations in effect on date of manufacture; however, certifications are not necessarily granted for the life of a product. Therefore, it is the responsibility of the applicant to determine whether a specific model qualifies for these incentive/rebate programs.



1900 Wellworth Avenue • Jackson, MI 49203 • 517-787-2100